

- KERB EXPANSION JOINT NOTES**
1. EXPANSION AND CRACK CONTROL JOINTS SHALL BE IN ACCORDANCE WITH THE SPECIFICATION.
 2. CONTINUOUS KEYS SHALL BE INSTALLED FOR ALL RADII LESS THAN OR EQUAL TO 40m.
 3. KERBING ALONG WITH EXPANSION AND CRACK CONTROL JOINTS SHALL BE CONSTRUCTED PRIOR TO LAYING OF ANY PAVEMENT TO THE BACK OF KERB.
 4. BACKFILL BEHIND KERB SHALL BE COMPACTED TO 90% M.M.D.D. IN ACCORDANCE WITH THE SPECIFICATION

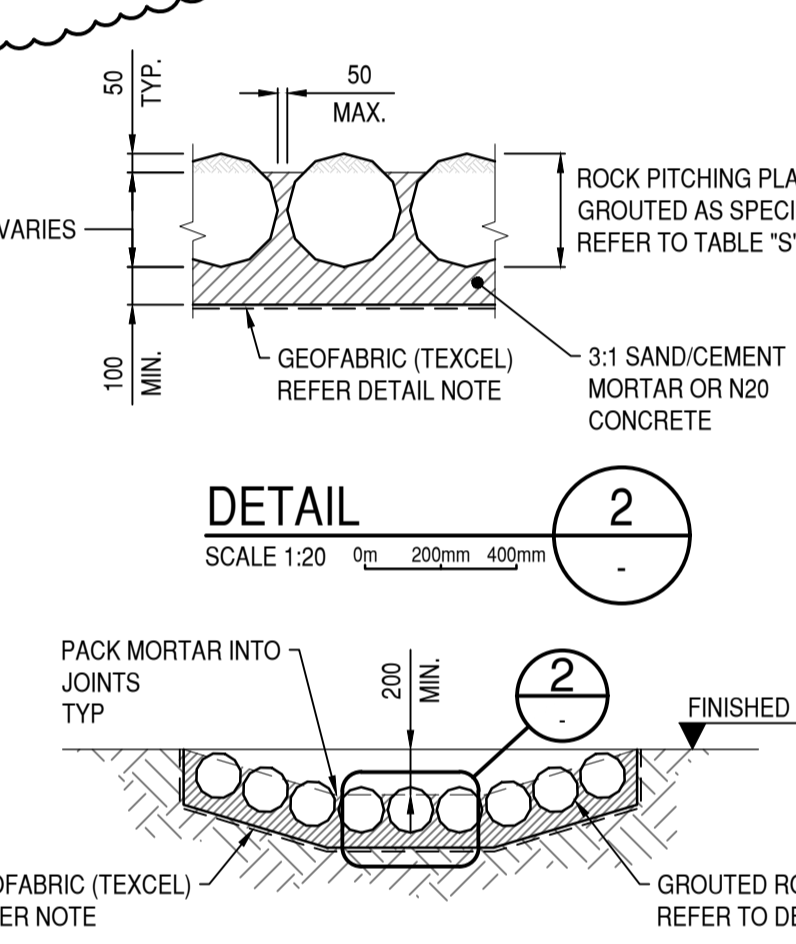
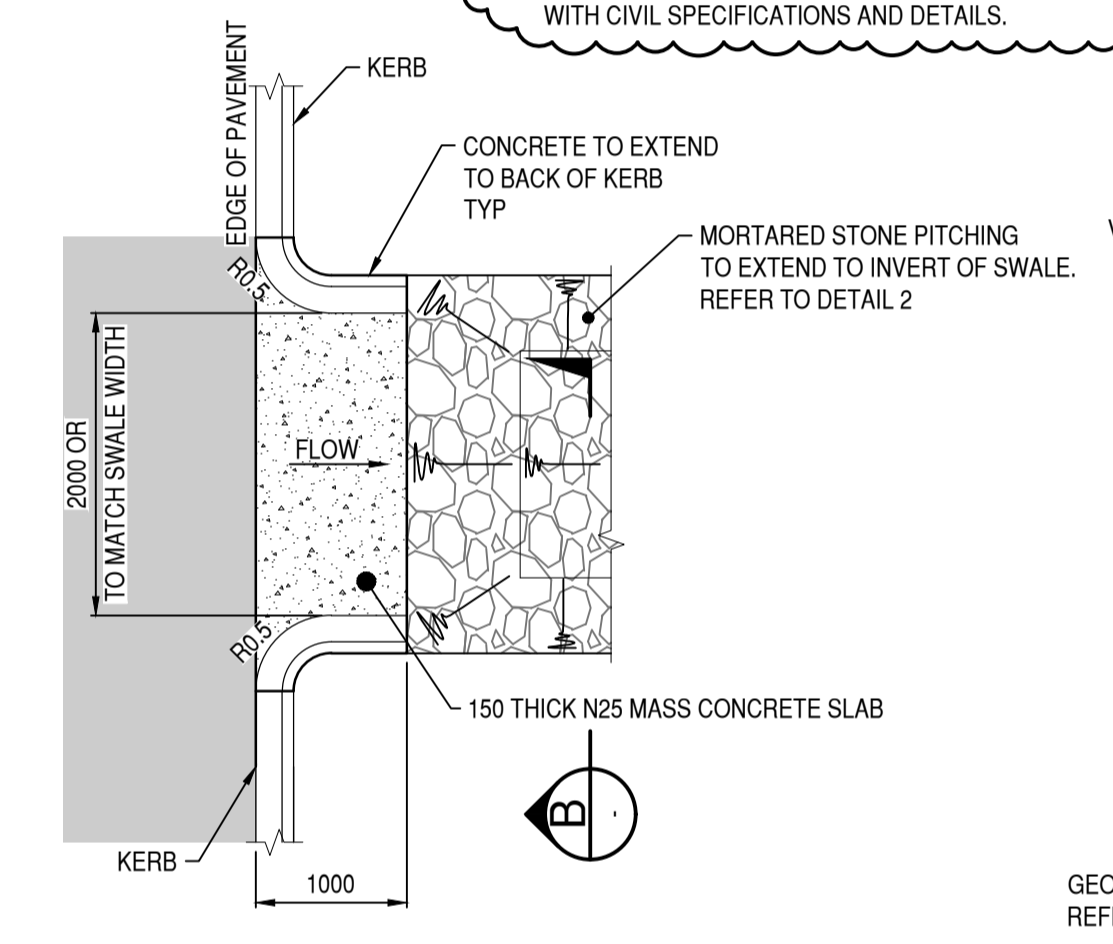
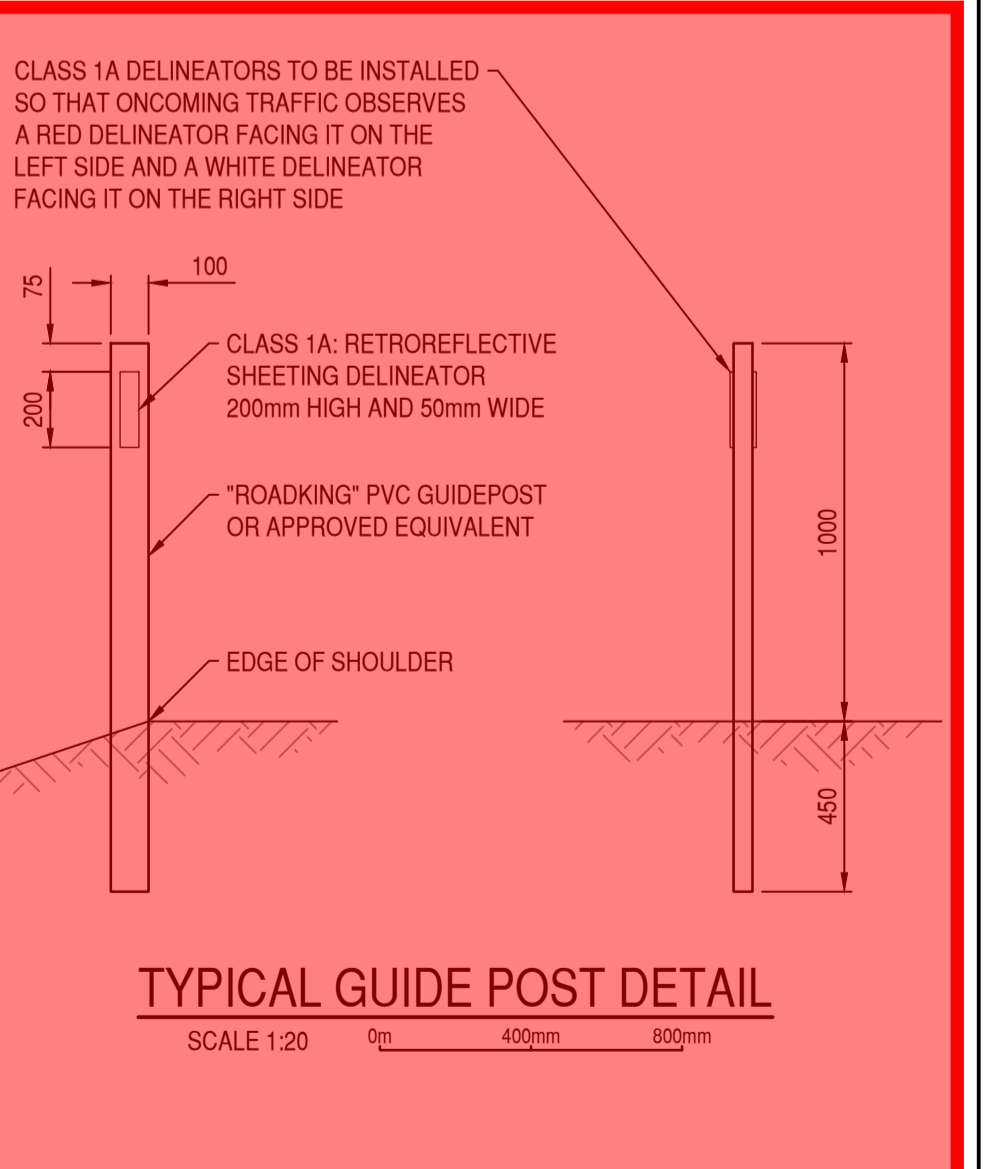
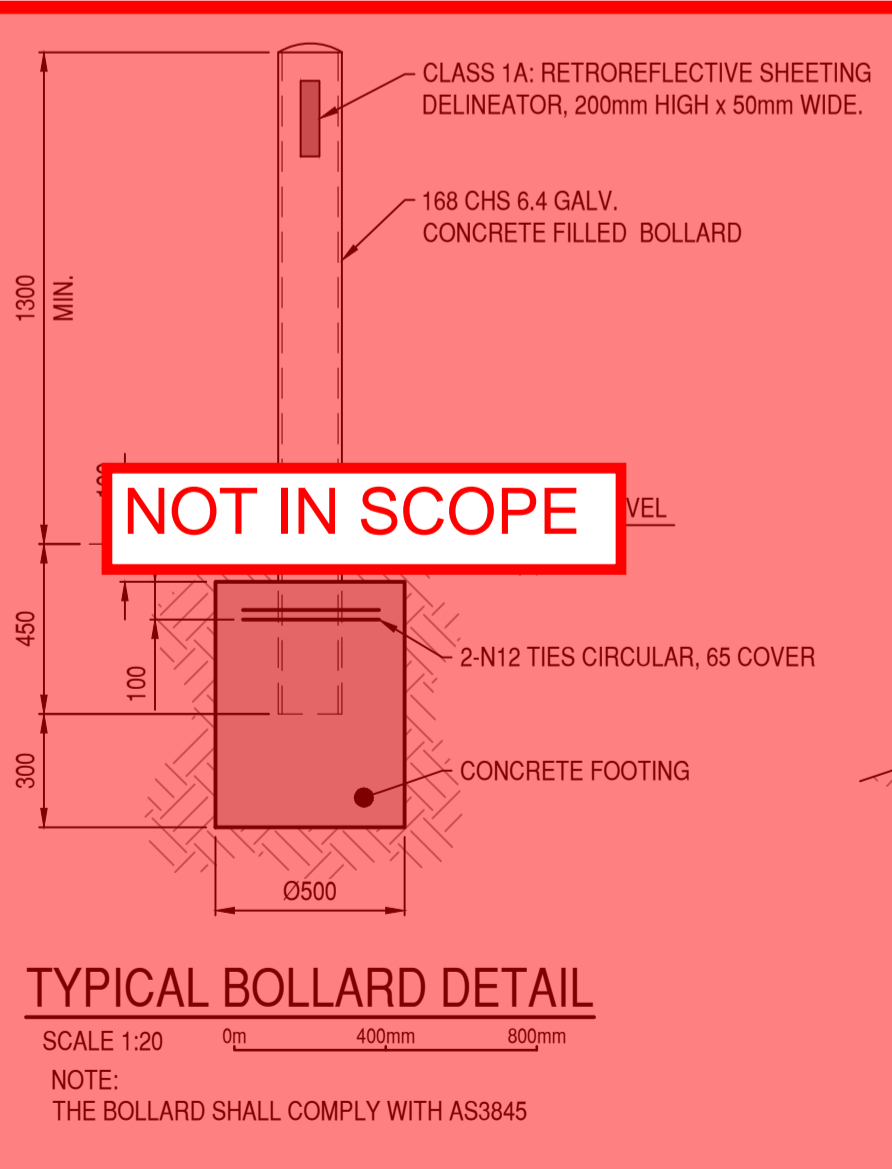
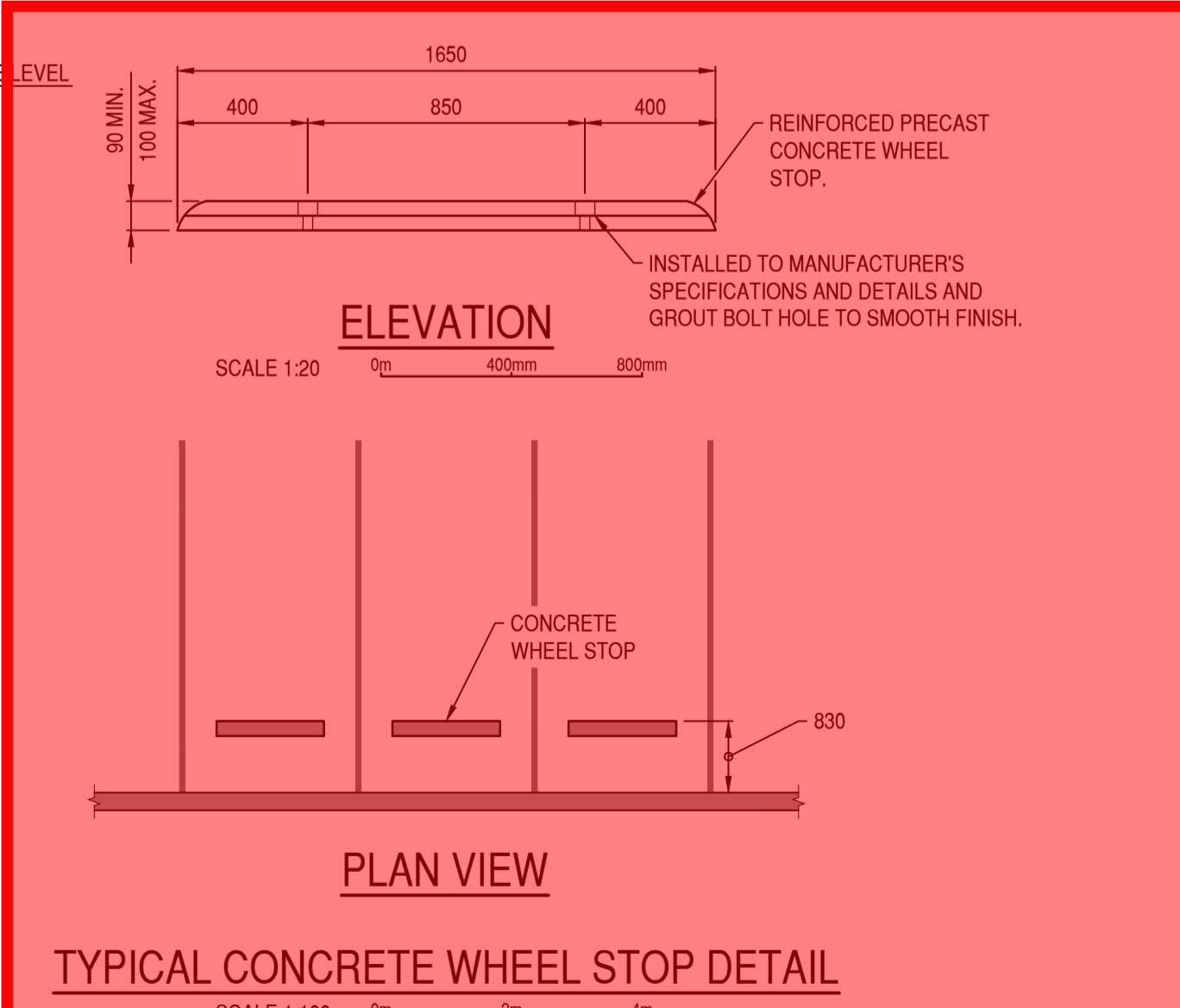
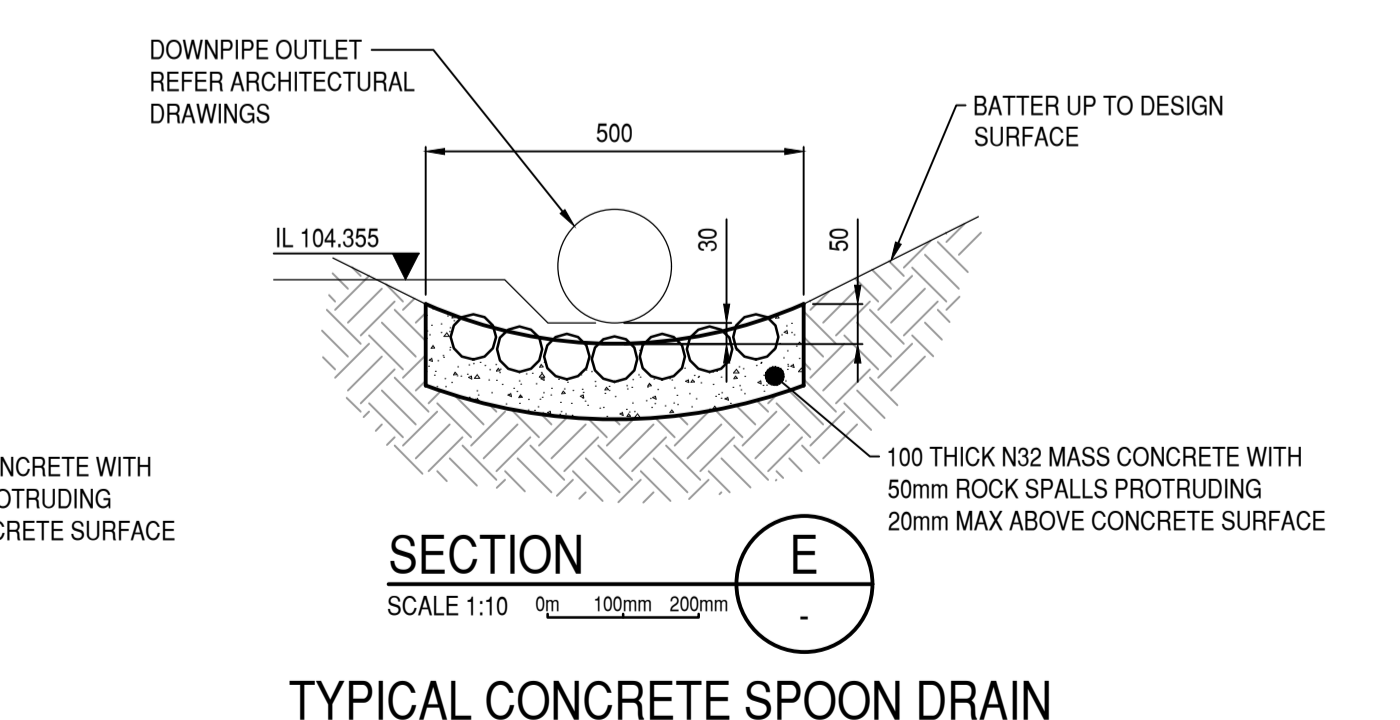
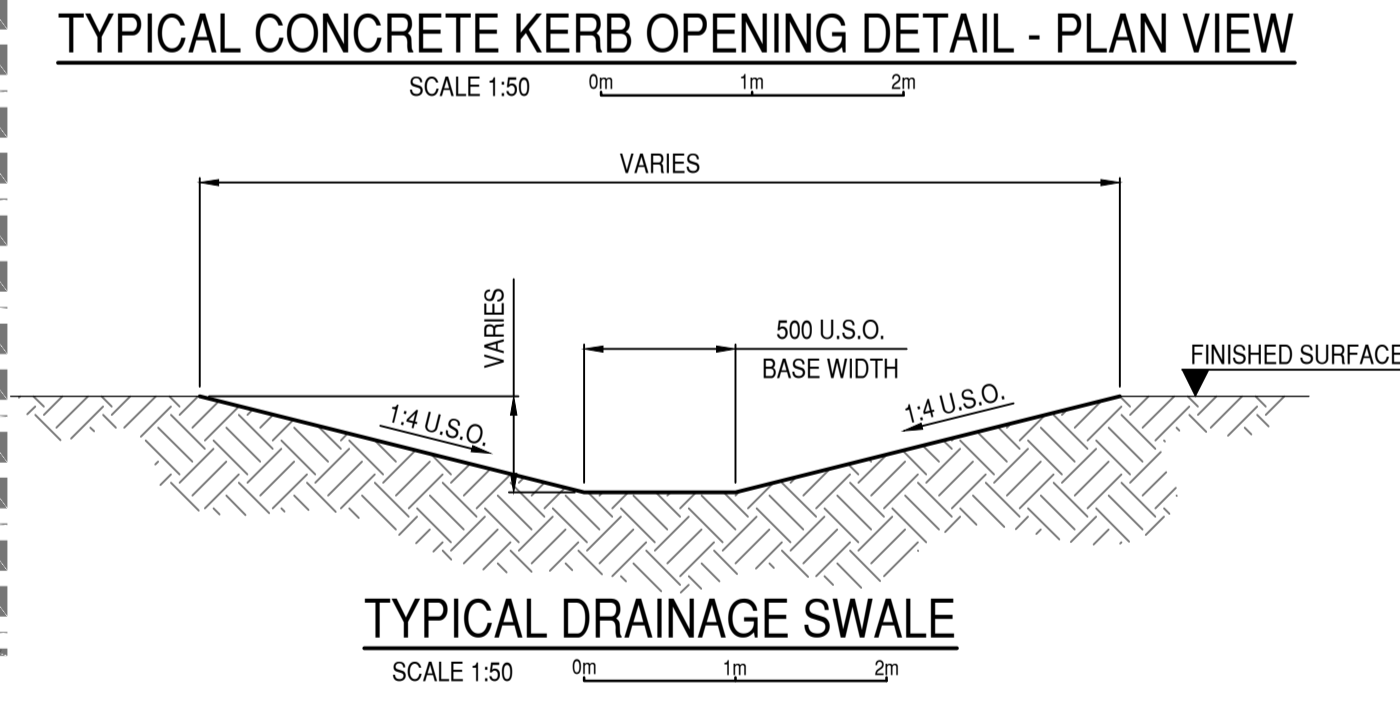
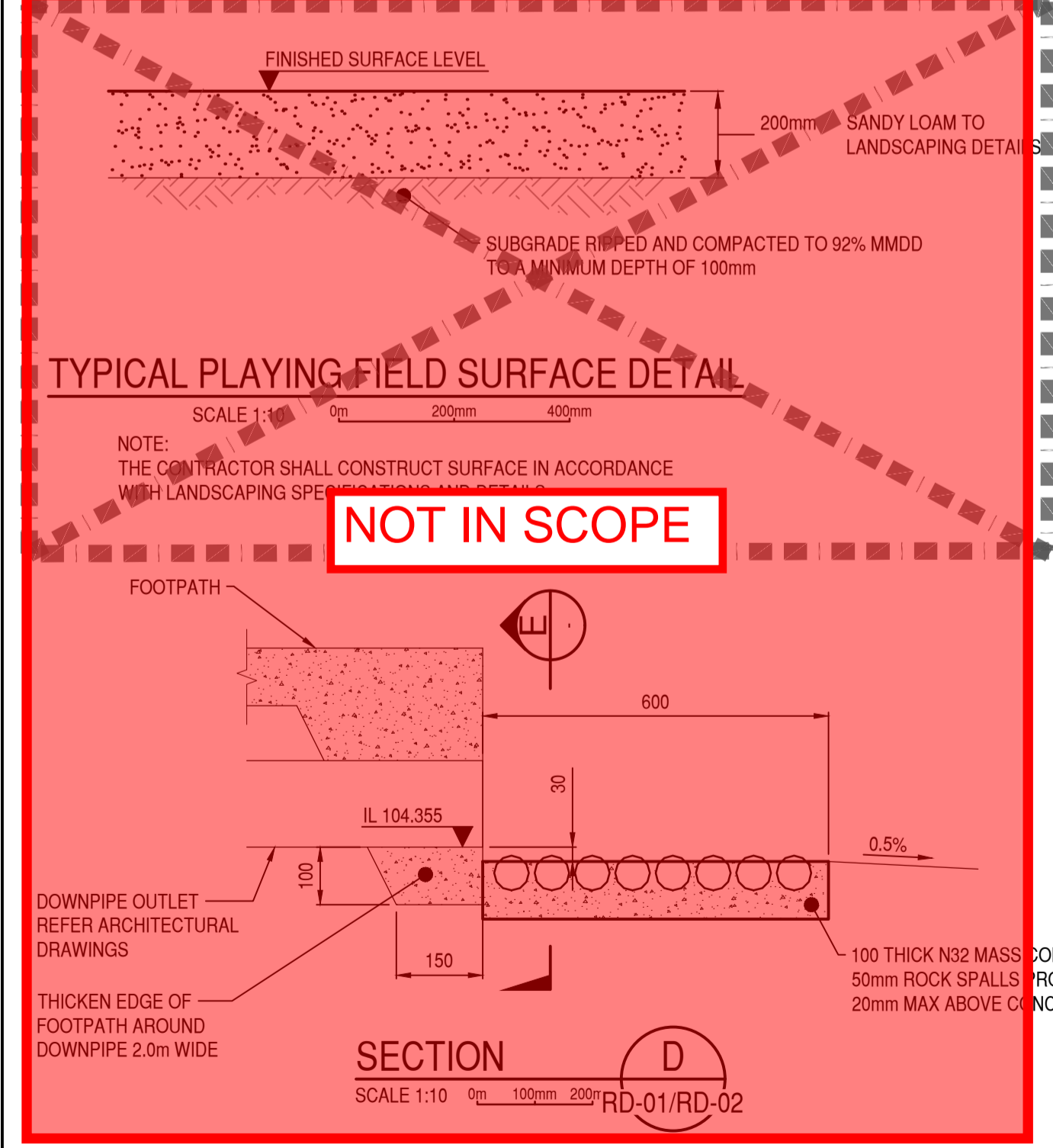
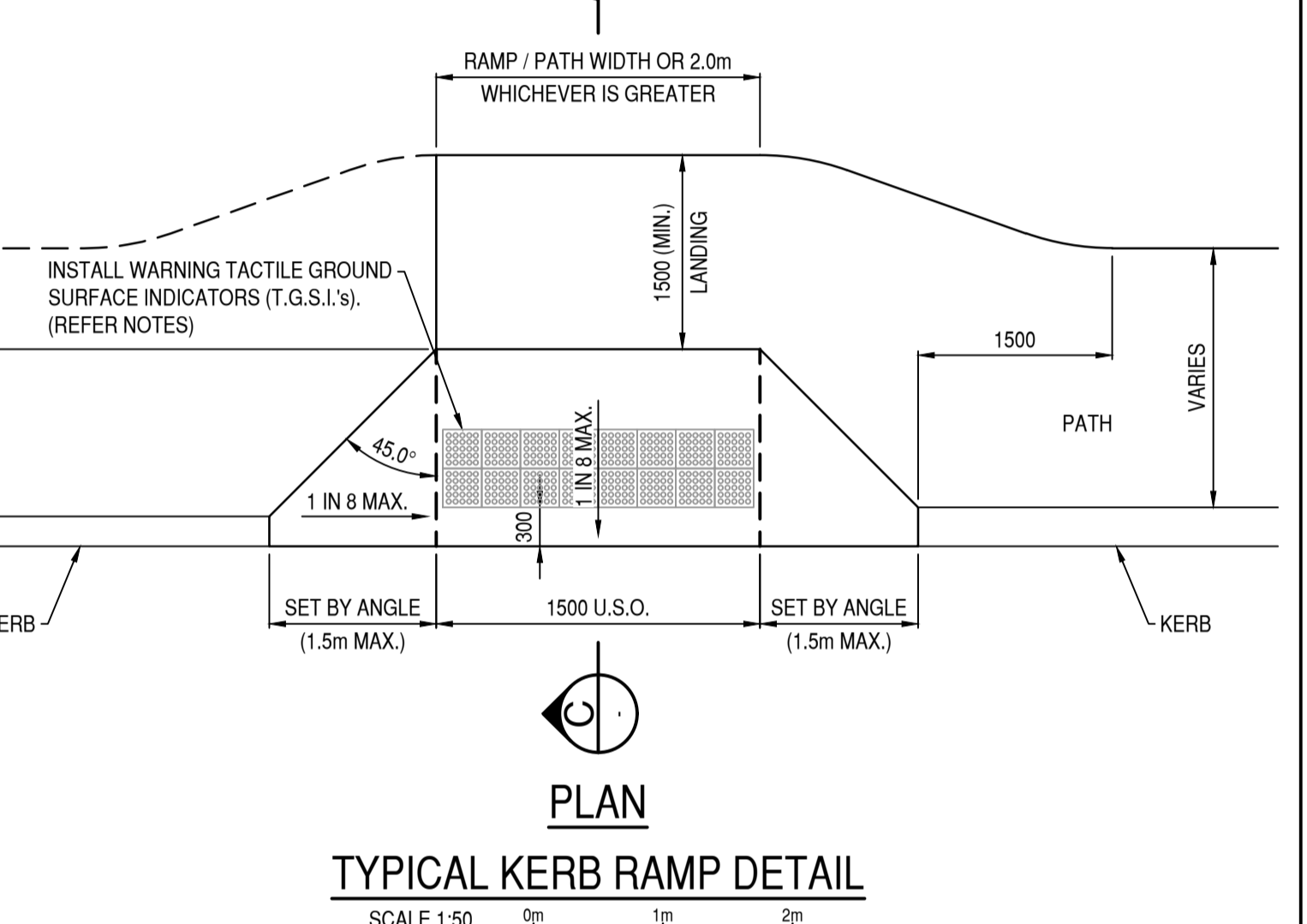
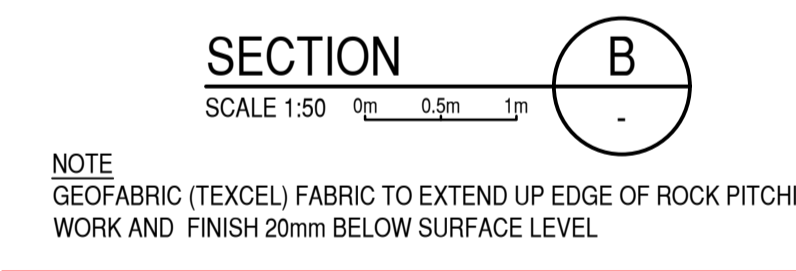


TABLE "S"
ROCK PITCHING SPALL GRADING

MINIMUM DIMENSIONS OF INDIVIDUAL SPALLS (mm)	SIZING RATIO
>200 to <300	45 - 60%
100 to 200	25 - 40%
>50 to <100	10 - 20%



REV	DATE	DESCRIPTION	BY	CHK	REV	DATE	DESCRIPTION	BY	CHK
5	25/08/2020	ISSUED FOR COSTING	JH	BW					
4	31/07/2020	ISSUED FOR DEVELOPMENT APPROVAL	JH	BW					
3	28/07/2020	RE-ISSUED FOR OVAL TENDER	JH	BW	9	19/11/2021	PAVEMENT DETAILS AMENDED	JH	
2	02/04/2020	RE-ISSUED FOR TENDER	JH	BW	8	25/03/2021	DOWNPIPE OUTLETS ADDED	JH	JH
1	30/01/2020	ISSUED FOR OVAL 2 RE-TENDER	JH	BW	7	06/01/2021	ISSUED FOR CONSTRUCTION	JH	BW
0	23/08/2019	ISSUED FOR TENDER	JH	BW	6	10/09/2020	ISSUED FOR TENDER	JH	BW

pritchard francis
civil and structural engineering consultants

Suite 1, 8 Knuckey Street
Darwin NT 0800
PO Box 104
Parap NT 0804
Telephone: (08) 7922 4100
nt@prfng.com.au

DRAWING STATUS: **CONSTRUCTION SET**

DATE: AUGUST 2019
DESIGNED: JH
DRAWN: JH
CHECKED: BW
APPROVED: NONE
DATE: NONE
DATE: AHD

CLIENT & JOB: **HAMES SHARLEY ARCHITECTS
KATHERINE SPORTSGROUND REDEVELOPMENT**

TITLE: **TYPICAL DETAILS
SHEET 1**

SCALE: AS SHOWN @ A1
SHEET NO: 19069-C7-TD-01
REVISED: 9